



**Liza**

The masterpiece of the Liza collection is the iconic, baroque-inspired table lamp, available in the classic Prisma version, as well as a new Pewter version, both using Slamp's patented techno-polymer materials. Liza has a double illumination system, with a courtesy LED in the base and bulb in the principle pleated shade, creating contrasts of light and shadows that give depth and warmth to any space.

*Brand:* **SLAMP**, MADE IN ITALY

*Item type:* Table lamp

*Item code:* LIZ86TAV0000G000

*Designer:* Elisa Giovannoni

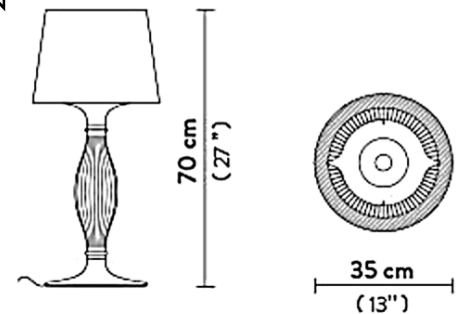
*General*

*Details:* LENTIFLEX® and Polycarbonate in YELLOW  
net: kg 2.5 - gross: kg 3

*Bulb*

*suggestion:* HAT BULB: 1X20W max - E27 FBT  
OR 1x70W max - E27 HALOGEN

*Dimension:* Ø 35 x 70 cm



*Please click the link for more option and finishes:*

<https://www.slamp.com/en/products/table/liza-table/>